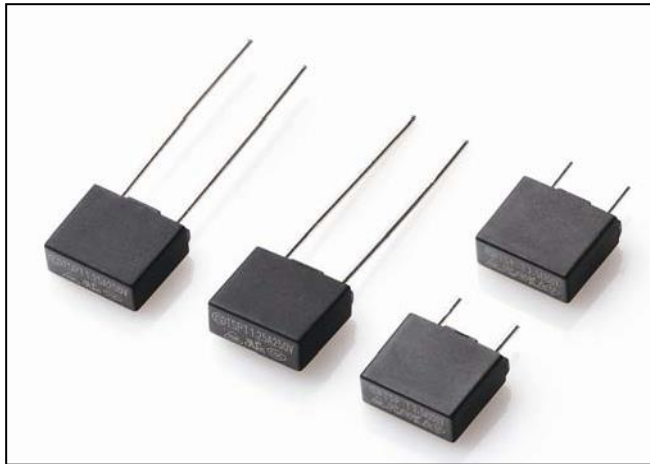


Type TSP

Time-Lag Subminiature Fuses Series



Description

TSP Time-lag Subminiature fuse Type, 125V/250V/300V/400V rated designed in accordance to IEC 60127.3, GB/T9364.3, UL 248-14.

Features

- Lead-free
- Reduced PCB space requirements
- Direct solderable or plug-in versions
- Shock safe casing
- Internationally approved
- Halogen free

Applications

- Power supplies
- Consumer Electronics
- Battery Chargers
- Industrial Controllers

Agency Approvals.

Safety Agency	Agency File Number	Ampere Range Volt@I.R.ABILITY
	E485357	100mA-16A 100A@125V AC 100mA-16A 100A@250V AC 100mA-16A 100A@300V AC 100mA-16A 50A@400V AC
	2020970207000092	250mA-3.15A 35A@250V AC 4A-10A 10In@250V AC
	CQC20012280402	12.5A-16A 10In@250V AC
	JD 60155889	250mA-10A 100A@250V AC
	SU05050-15001(3.15A~4A) SU05050-15002(1A~2.5A) SU05050-15003(≤800mA)	250mA~3.15A 35A@250V AC 4A 10In@250V AC
	R 50315914(≤10A) J 50475978(12.5A~16A)	100mA~3.15A 35A@250V AC 4A~16A 10In@250V AC 100mA~3.15A 35A@300V AC 4A~16A 10In@300V AC

Electrical Characteristics for Series

% of Ampere Rating	Opening Time
150%	1 Hour Min.
210%	2min Max.
275%	400ms Min. 10s Max.
400%	150ms Min. 3s Max.
1000%	20ms Min. 150ms Max.

Electrical Characteristic Specifications by Item

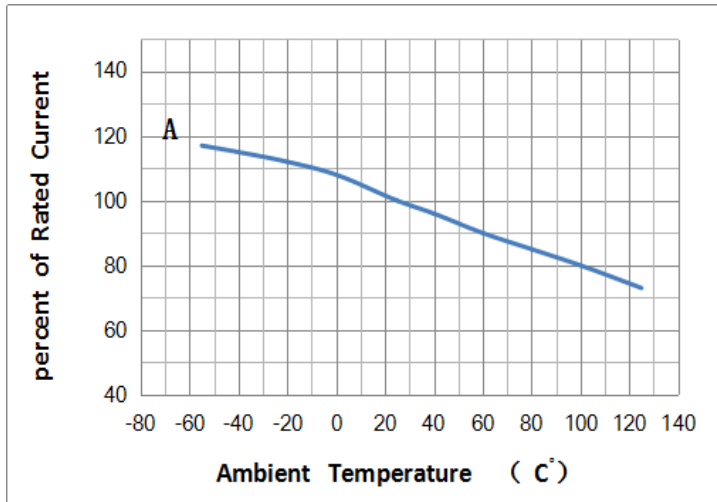
Catalog Number	Rated Current	Voltage Rating	Breaking Capacity	Melting Integral 10In min(A ² S)	Agency Approvals							
					CQC	CCC	cURus	KC	PSE	UL	TUV	
TSP0100	100mA	125V AC 250VAC 300VAC 400VAC	100A@125V AC 100A@250V AC 100A@300V AC 50A@400V AC	0.021						•	•	
TSP0125	125mA			0.031							•	•
TSP0160	160mA			0.040							•	•
TSP0200	200mA			0.046							•	•
TSP0250	250mA			0.500			•		•	•	•	•
TSP0315	315mA			0.790			•		•	•	•	•
TSP0400	400mA			1.280			•		•	•	•	•
TSP0500	500mA			2.000			•		•	•	•	•
TSP0630	630mA			3.180			•		•	•	•	•
TSP0800	800mA			5.120			•		•	•	•	•
TSP1100	1A			8.000			•		•	•	•	•
TSP1125	1.25A			12.50			•		•	•	•	•
TSP1160	1.6A			20.48			•		•	•	•	•
TSP1200	2A			32.00			•		•	•	•	•
TSP1250	2.5A			50.00			•		•	•	•	•
TSP1315	3.15A			79.38			•		•	•	•	•
TSP1400	4A			128.00			•		•	•	•	•
TSP1500	5A			200.00			•		•	•	•	•
TSP1630	6.3A			317.52			•		•	•	•	•
TSP1800	8A			512.00			•		•	•	•	•
TSP2100	10A			800.00			•		•	•	•	•
TSP2125	12.5A	937.00			•		•			•		
TSP2150	15A	1755.0			•		•			•		
TSP2160	16A	1800.0			•		•			•		

Type TSP

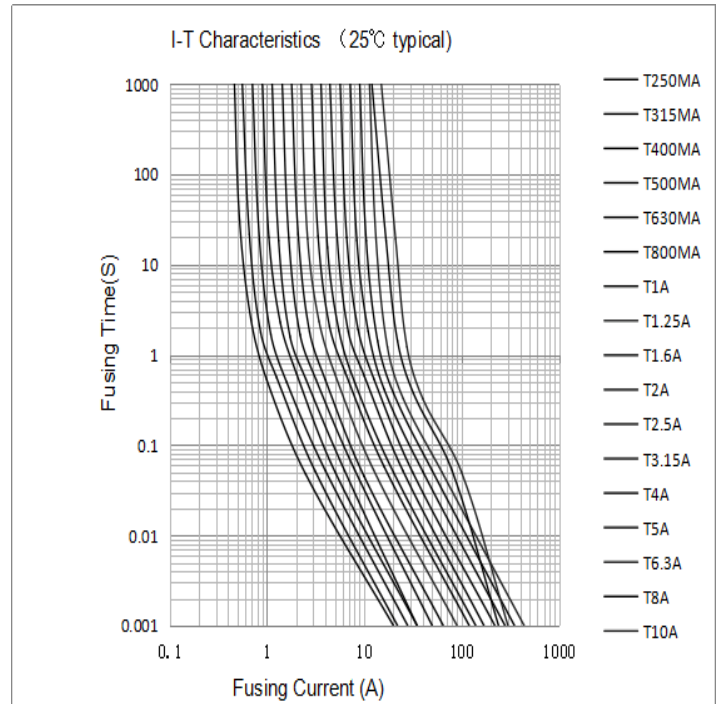
Time-Lag Subminiature Fuses Series



Temperature Re-rating Curve

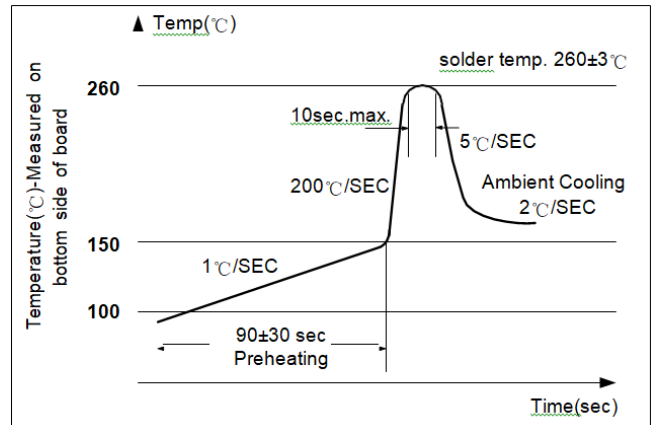


Average Time Current Curves



Soldering Parameters-Wave Soldering

Lead-Free Wave Soldering Profile	
Wave Soldering Parameter	
Average ramp-up rate	200°C/second
Heating rate during preheat	Typical 1-2°C/second Max 4°C/second
Final preheat temperature	Within 125°C of Soldering temperature
Peak temperature	260°C
Time within +0/-5°C of actual peak temperature	10 seconds
Ramp-down Rate	5°C/second max



Type TSP

Time-Lag Subminiature Fuses Series

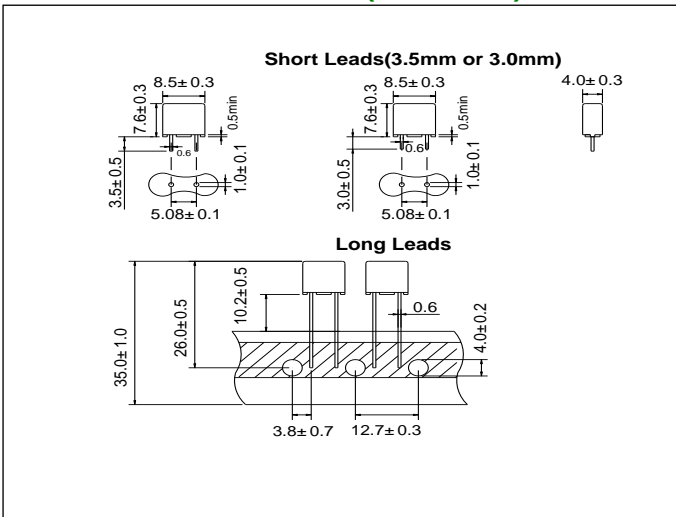


Product Characteristics

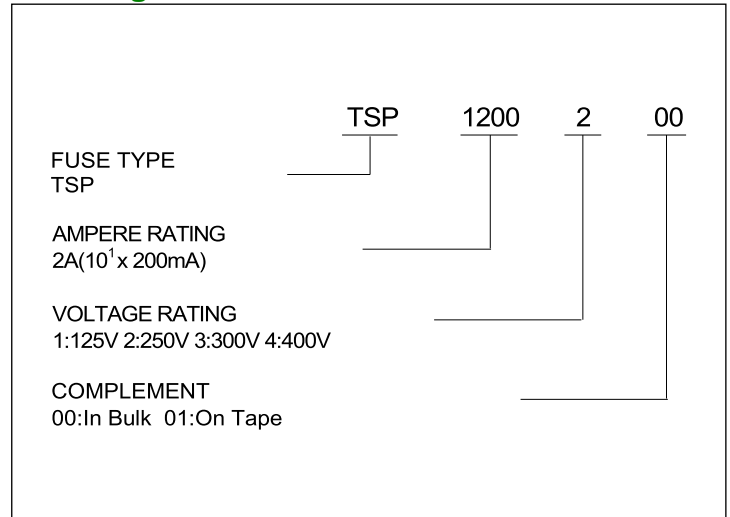
Materials	Base/Cap:Black Thermoplastic Polyamide PA66,UL 94 V-0 Round Pins:Copper Tin-plated
Lead Pull Strength	10 N(IEC 60068-2-21)
Soldering Parameters	260°C,≤10 sec.(wave) 350°C,≤3 sec.(soldering iron)
Soldering Heat Resistance	260°C,10 sec.(IEC 60068-2-20) 350°C,≤3 sec.(soldering iron)

Operating Temperature	-55°C to +125°C(consider de-rating)
Climatic Category	-40°C to +85°C/21 days (EN 60068-1, -2-1, -2-2, -2-78)
Stock Condition	+10°C to +60°C Relative humidity ≤75% yearly Average, without dew, maximum Value for 30 days-95%
Vibration Resistance	24 cycles at 15 min. each (EN 60068-2-6) 10-60 Hz at 0.75 mm amplitude 60-2000 Hz at 10 g acceleration

Mechanical Dimensions(Unit :mm)



Ordering Information



Packaging

Packaging Option	Packaging Specification	Quantity
On Tape	N / A	1000pcs
In Bulk	N / A	1000pcs